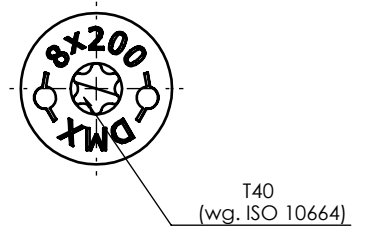
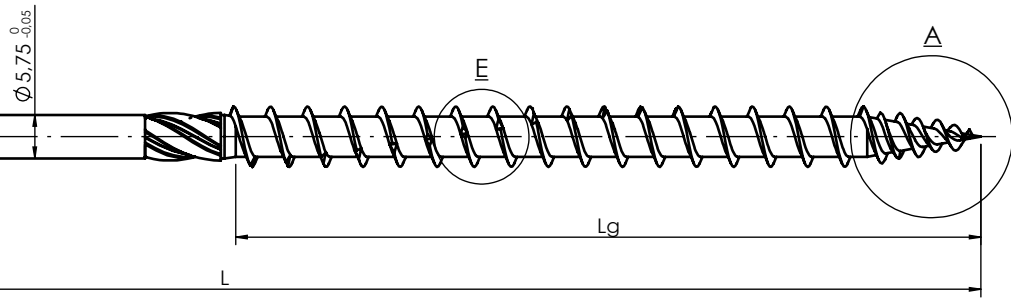
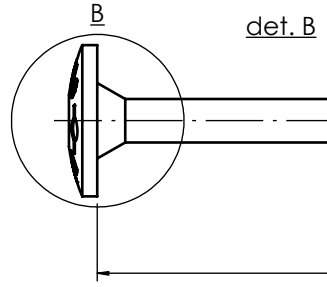
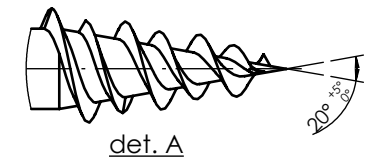
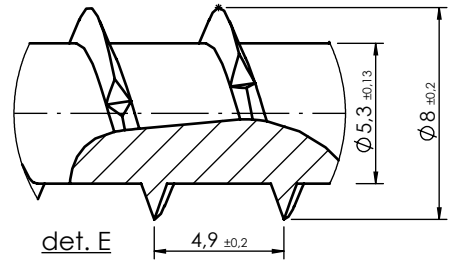
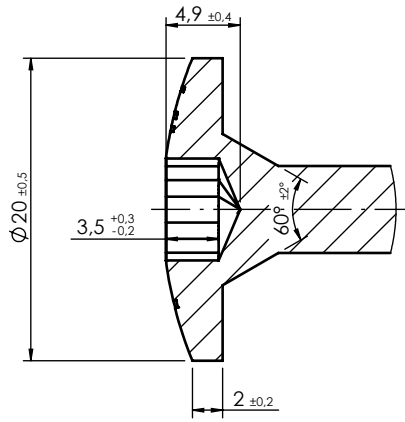


This document is the absolute property of DOMAX Sp. z o.o. This document must not be copied without the written permission of DOMAX Sp. z o.o. The contents thereof must not be disclosed to a third party nor be used for any unauthorized purpose. Contravention will be prosecuted.

Revision				
Rev.	Explanation	Date	Revised by	Approved by



Index	Name	L	Tolerance	Lg	Tolerance	Surface [dm ²]	Weight [g]
320808	CT 8x80	80	± 2	50	± 2,5	0,25	20,8
	CT 8x90	90				0,27	22,9
320810	CT 8x100	100	± 2,5	60	± 3	0,29	24,8
320812	CT 8x120	120	± 3	80	± 4	0,35	28,6
320814	CT 8x140	140	± 3,5			0,39	32,7
320816	CT 8x160	160	± 4			0,42	36,7
320818	CT 8x180	180	± 4,5			0,47	40,6
320820	CT 8x200	200	± 5			0,51	44,6
320822	CT 8x220	220	± 5,5			0,54	48,6
320824	CT 8x240	240	± 6	100	± 5	0,58	52,6
320826	CT 8x260	260	± 6,5			0,62	56,6
320828	CT 8x280	280	± 7			0,65	60,7
320830	CT 8x300	300	± 7,5			0,69	64,7
320832	CT 8x320	320	± 8			0,72	68,7
320834	CT 8x340	340	± 8,5			0,76	72,7
320836	CT 8x360	360	± 9			0,8	76,6
320838	CT 8x380	380	± 9,5			0,83	80,7
320840	CT 8x400	400	± 10			0,87	84,7

- Note:
- Tolerancje ogólne wg. EN 22768 mK.
 - Powłoka Fe/Zn 12c wg. EN ISO 2081



Design	D. Kozłowski		Checked	-	Approved	-	Note			
Drawn	D. Kozłowski		Format	A4	Scale	1:1	Rod Ø5,75 - 20MnB4	Weight	-	
Date	16.10.2023	Screw DMX CT 8						Sheet	1 / 1	
Material	DMX CT 8								Rev	A

