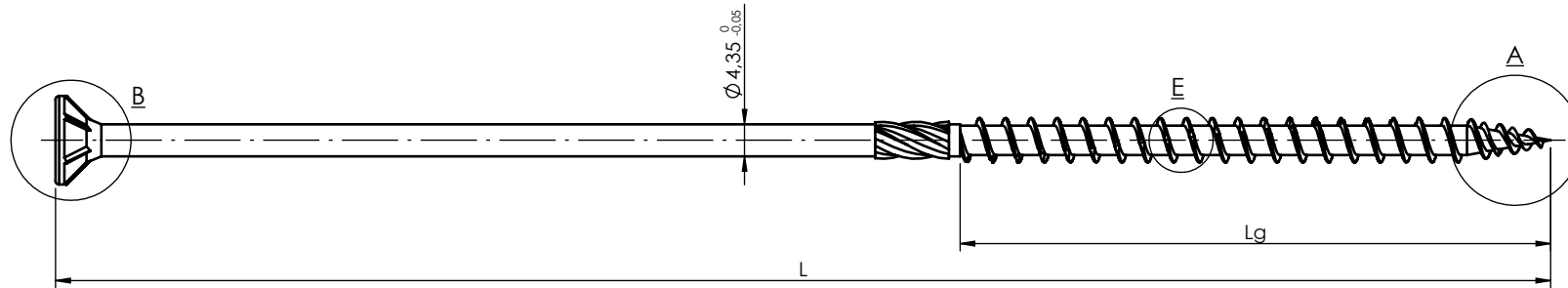
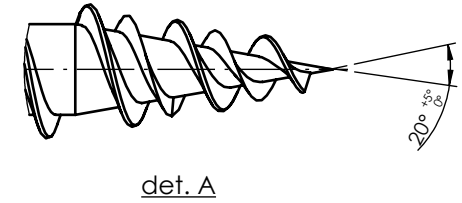
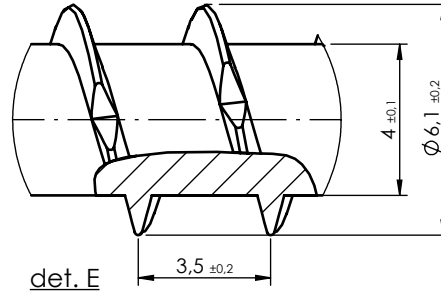
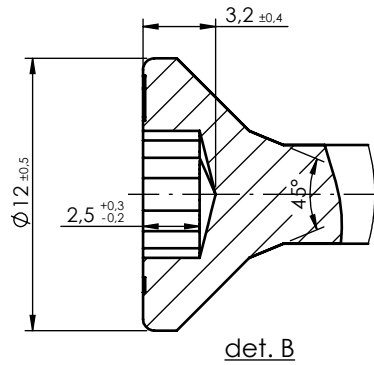


This document is the absolute property of DOMAX Sp. z o.o. This document must not be copied without the written permission of DOMAX Sp. z o.o. The contents thereof must not be disclosed to a third party nor be used for any unauthorized purpose. Contravention will be prosecuted.

Revision				
Rev.	Explanation	Date	Revised by	Approved by



T 30 (wg. ISO 10664)

Index	Name	L	Tolerance	Lg	Tolerance	Surface [dm <sup>2</sup> ]	Weight [g]
310608	CS 6x80	80	± 2	50	± 2,5	0,17	10,3
	CS 6x90	90				0,18	11,5
310610	CS 6x100	100	± 2,5	80	± 4	0,20	12,6
310612	CS 6x120	120	± 3			0,24	14,6
310614	CS 6x140	140	± 3,5			0,27	17
310616	CS 6x160	160	± 4			0,30	19,2
310618	CS 6x180	180	± 4,5			0,32	21,6
310620	CS 6x200	200	± 5			0,35	23,9
310622	CS 6x220	220	± 5,5			0,38	26,2
310624	CS 6x240	240	± 6			0,41	28,5
310626	CS 6x260	260	± 6,5			0,43	30,8
310628	CS 6x280	280	± 7			0,46	33
310630	CS 6x300	300	± 7,5	0,49	35,5		



**Note:**

1. Tolerancje ogólne wg. EN 22768 mK.
2. Powłoka Fe/ZN 12c wg. EN ISO 2081

Design	D. Kozłowski		Checked	-		Approved	-		Note	-	
Drawn	D. Kozłowski		Format	A4		Scale	1:1		Material	Pręt Ø 4,35 - 20MnB4	
Date	16.10.2023		Screw DMX CS 6			Weight	-				
Index	-		DMX CS 6			-		-		Sheet 1 / 1	
			-			-		-		Rev A	