

PAVL-07.09.09-PP 6827-1

Primary Usage

Reference No.

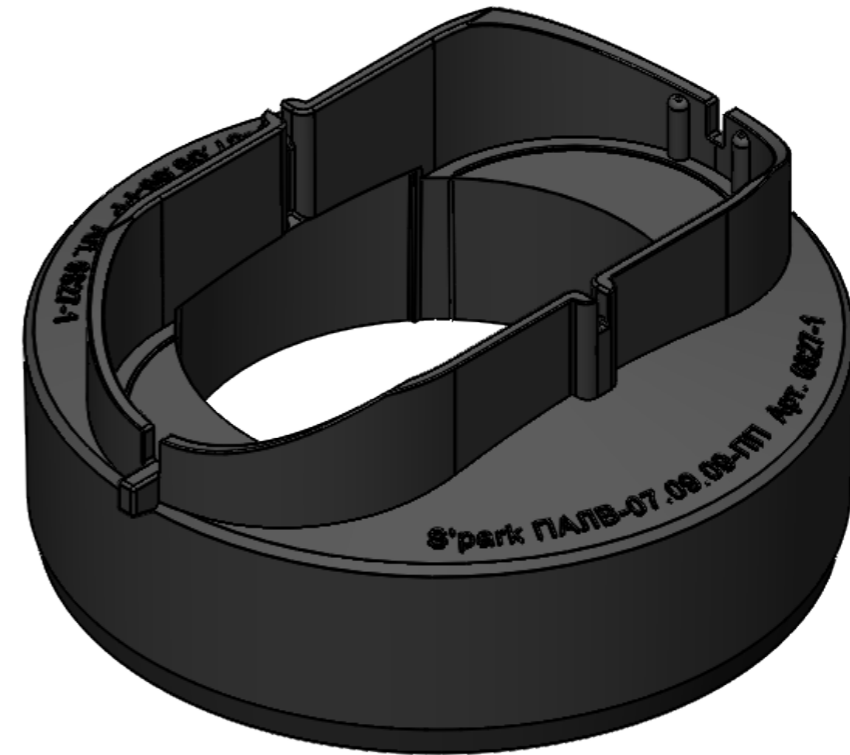
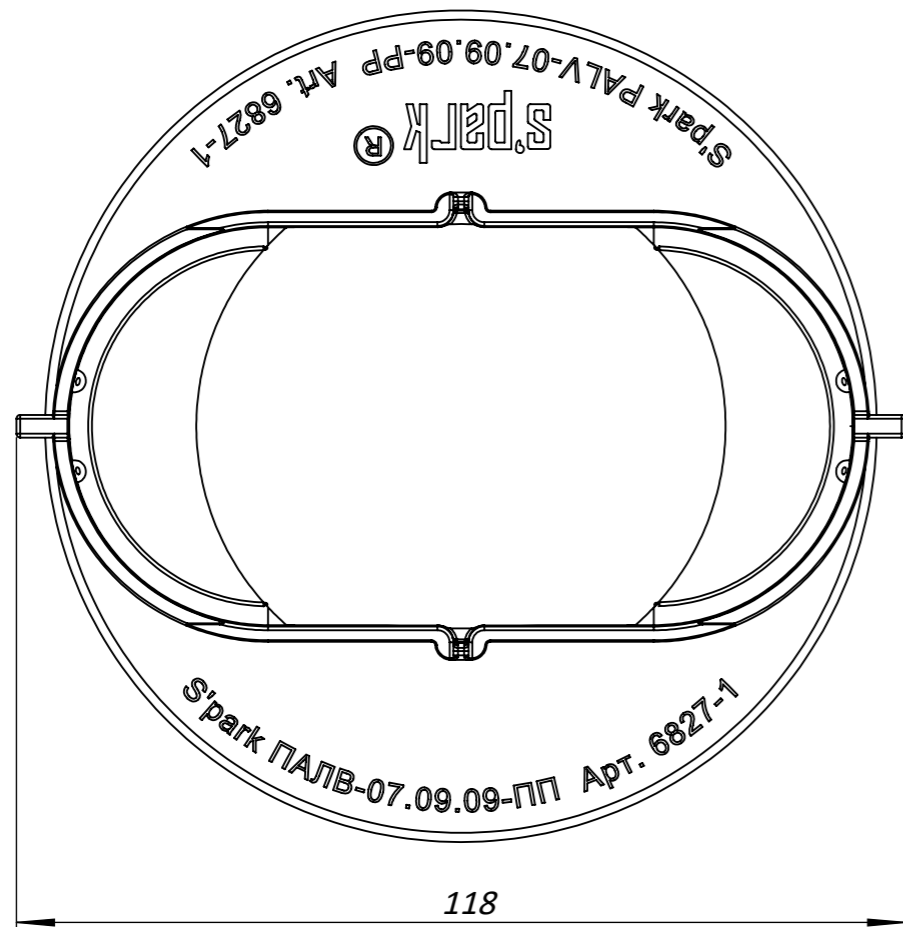
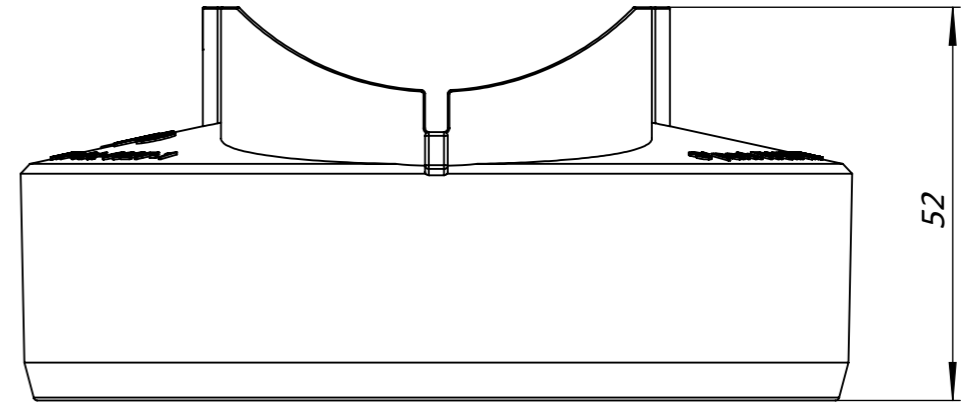
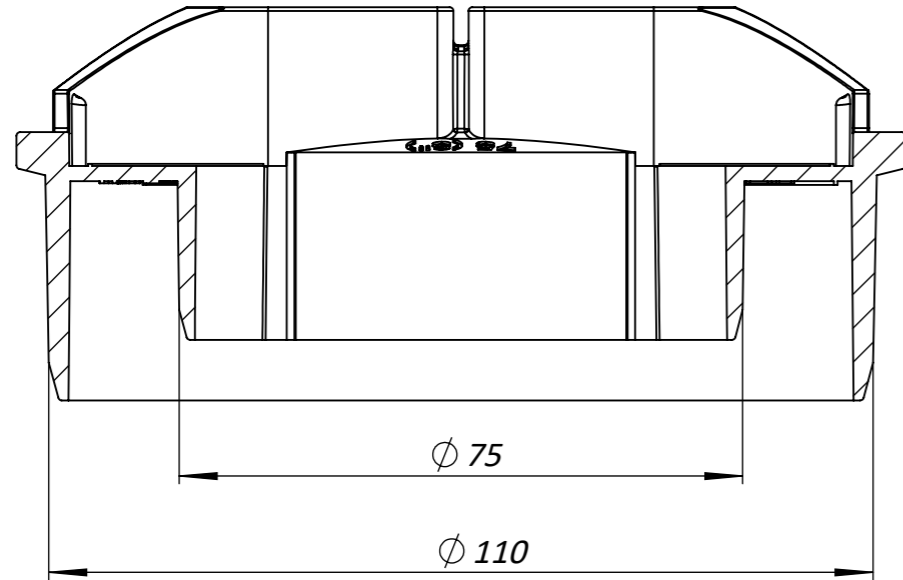
Sign. and date

Copy inv. No.

Repl. Inv. No.

Sign. and date

Orig. Inv. No.



					Art.	6827-1				
					PAVL-07.09.09-PP 6827-1					
					Nozzle S'park			Let.	Weight	Scale
Rev.	Sheet	Doc. No.	Sign.	Data					0.041	1:1
					Plastic			Sheet	Sheets 1	