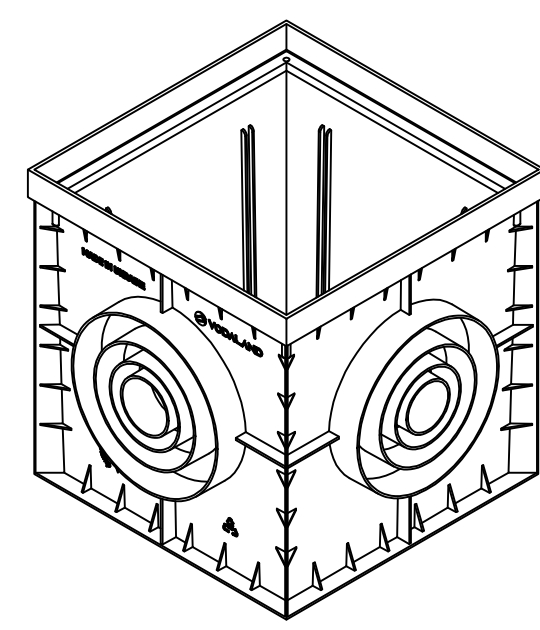
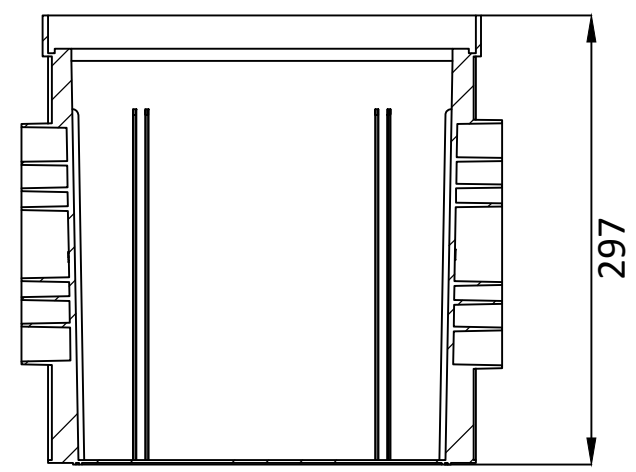
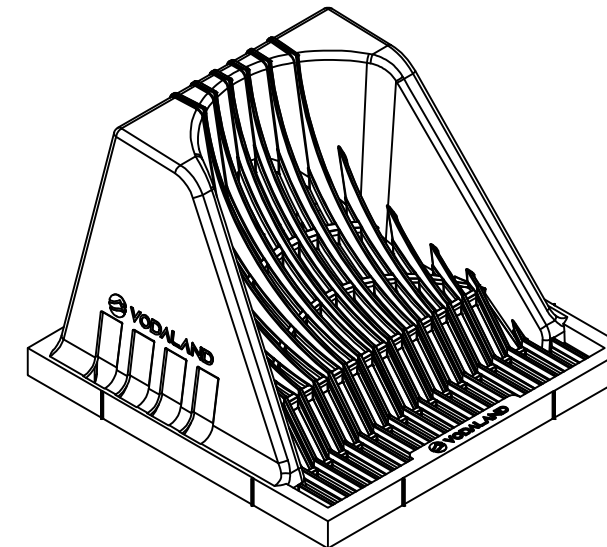
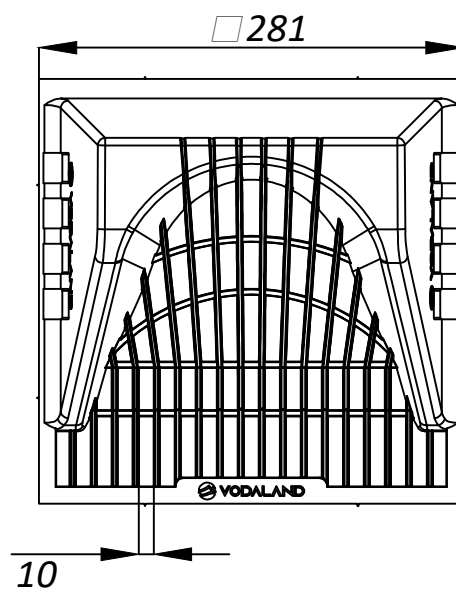
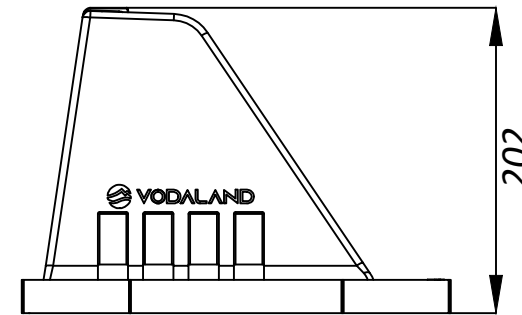
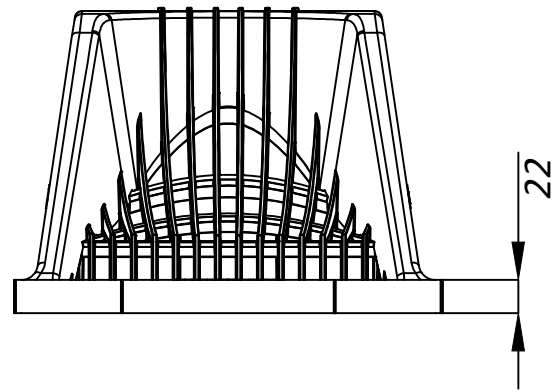


A-A



UNLESS OTHERWISE SPECIFIED: DIMENSIONS ARE IN MILLIMETERS SURFACE FINISH: TOLERANCES: ISO 2768-c LINEAR: ANGULAR:				FINISH:		DO NOT SCALE DRAWING		REVISION	
DRAW/LYY				SIGNATURE		DATE		TITLE:	
CHK'D LMK						18.08.22		Plastic catch basin Base 300x300	
APPV'D								ARTICLE:	
MFG								8370	
Q.A						MATERIAL:		A3	
						Plastic			
						WEIGHT: 1,35 kg		SCALE:1:5	
								SHEET 1 OF 1	



1. Deviation of the actual weight of the nominal can be up to 8%

UNLESS OTHERWISE SPECIFIED: DIMENSIONS ARE IN MILLIMETERS SURFACE FINISH: TOLERANCES: ISO 2768-c LINEAR: ANGULAR:				FINISH:		DO NOT SCALE DRAWING		REVISION	
DRAWN: LYY		SIGNATURE:		DATE: 02.06.22		TITLE: Plastic grate-extension for catch basin Base 300x300 black			
CHK'D: LMK						ARTICLE: 3385		A3	
APPV'D:						MATERIAL: Plastic			
MFG:						WEIGHT: 0.64 kg		SCALE: 1:5	
Q.A:								SHEET 1 OF 1	