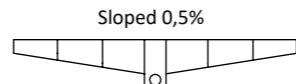
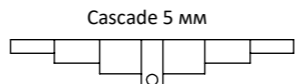
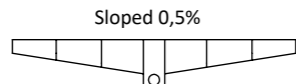
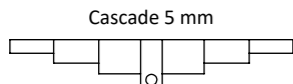


Channel with slotted Grate D400

Channel with slotted Grate D400 and vertical outlet 110

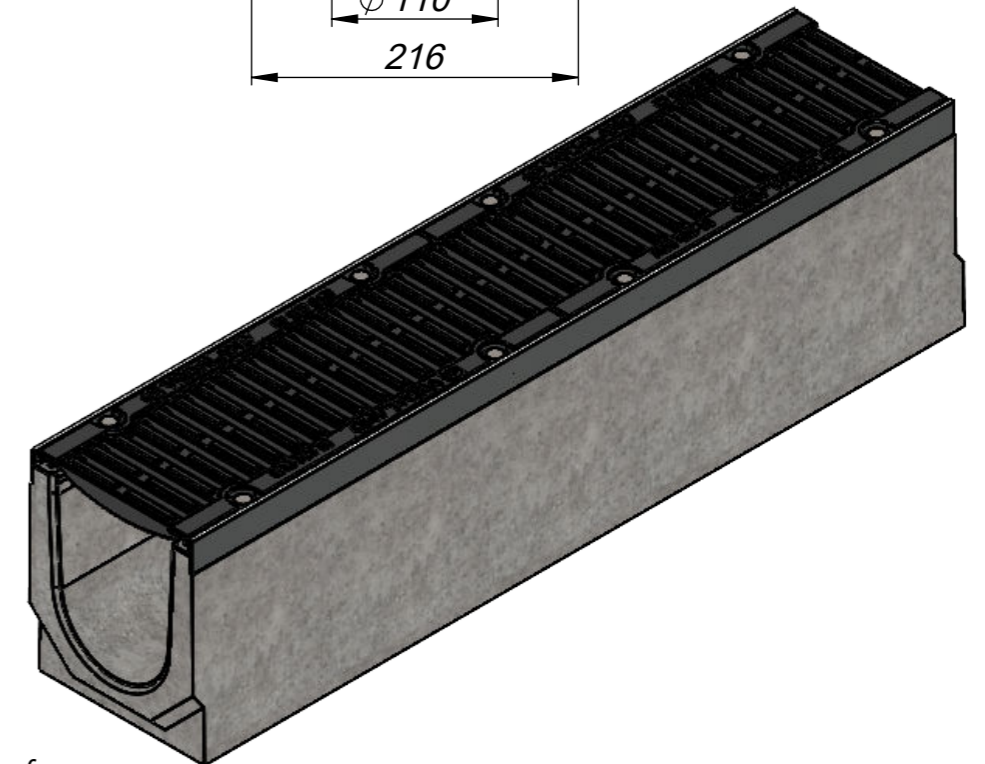


Article	H/h, mm	Weight kg
042071334/310	310	85,3
042071334/305	305	84,6
042071334/300	300	83,9
042071334/295	295	83,2
042071334/290	290	82,5
042071334/285	285	81,8
042071334/280	280	81,1
042071334/275	275	80,4
042071334/270	270	79,7
042071334/265	265	79,0
042071334/260	260	78,3
042071334/255	255	77,6
042071334/250	250	77,0
042071334/245	245	76,3
042071334/240	240	75,6
042071334/235	235	74,9
042071334/230	230	74,2
042071334/225	225	73,5
042071334/220	220	72,8
042071334/215	215	72,1
042071334/210	210	71,4
042071334/205	205	70,7
042071334/200	200	70,0
042071334/195	195	69,4
042071334/190	190	68,7
042071334/185	185	68,0
042071334/180	180	67,3
042071334/175	175	66,6
042071334/170	170	65,9
042071334/165	165	65,2
042071334/160	160	64,6
042071334/155	155	63,8

Article	H/h, mm	Weight kg
042071334/310-305	310/305	84,9
042071334/305-300	305/300	84,2
042071334/300-295	300/295	83,5
042071334/295-290	295/290	82,8
042071334/290-285	290/285	82,1
042071334/285-280	285/280	81,4
042071334/280-275	280/275	80,7
042071334/275-270	275/270	80,1
042071334/270-265	270/265	79,4
042071334/265-260	265/260	78,7
042071334/260-255	260/255	78,0
042071334/255-250	255/250	77,3
042071334/250-245	250/245	76,6
042071334/245-240	245/240	75,9
042071334/240-235	240/235	75,2
042071334/235-230	235/230	74,5
042071334/230-225	230/225	73,8
042071334/225-220	225/220	73,2
042071334/220-215	220/215	72,5
042071334/215-210	215/210	71,8
042071334/210-205	210/205	71,1
042071334/205-200	205/200	70,4
042071334/200-195	200/195	69,7
042071334/195-190	195/190	69,0
042071334/190-185	190/185	68,3
042071334/185-180	185/180	67,6
042071334/180-175	180/175	66,9
042071334/175-170	175/170	66,3
042071334/170-165	170/165	65,6
042071334/165-160	165/160	64,9
042071334/160-155	160/155	64,2
042071334/155-150	155/150	63,5

Article	H/h, mm	Weight kg
04207133409/310	310	84,1
04207133409/305	305	83,4
04207133409/300	300	82,7
04207133409/295	295	82,0
04207133409/290	290	81,3
04207133409/285	285	80,6
04207133409/280	280	79,9
04207133409/275	275	79,2
04207133409/270	270	78,6
04207133409/265	265	77,9
04207133409/260	260	77,2
04207133409/255	255	76,5
04207133409/250	250	75,8
04207133409/245	245	75,1
04207133409/240	240	74,4
04207133409/235	235	73,7
04207133409/230	230	73,0
04207133409/225	225	72,3
04207133409/220	220	71,7
04207133409/215	215	71,0
04207133409/210	210	70,3
04207133409/205	205	69,6
04207133409/200	200	68,9
04207133409/195	195	68,2
04207133409/190	190	67,5
04207133409/185	185	66,8
04207133409/180	180	66,1
04207133409/175	175	65,4
04207133409/170	170	64,8
04207133409/165	165	64,1
04207133409/160	160	63,4
04207133409/155	155	62,7

Article	H/h, mm	Weight kg
04207133409/310-305	310/305	83,7
04207133409/305-300	305/300	83,0
04207133409/300-295	300/295	82,3
04207133409/295-290	295/290	81,6
04207133409/290-285	290/285	80,9
04207133409/285-280	285/280	80,2
04207133409/280-275	280/275	79,6
04207133409/275-270	275/270	78,9
04207133409/270-265	270/265	78,2
04207133409/265-260	265/260	77,5
04207133409/260-255	260/255	76,8
04207133409/255-250	255/250	76,1
04207133409/250-245	250/245	75,4
04207133409/245-240	245/240	74,7
04207133409/240-235	240/235	74,0
04207133409/235-230	235/230	73,3
04207133409/230-225	230/225	72,7
04207133409/225-220	225/220	72,0
04207133409/220-215	220/215	71,3
04207133409/215-210	215/210	70,6
04207133409/210-205	210/205	69,9
04207133409/205-200	205/200	69,2
04207133409/200-195	200/195	68,5
04207133409/195-190	195/190	67,8
04207133409/190-185	190/185	67,1
04207133409/185-180	185/180	66,4
04207133409/180-175	180/175	65,8
04207133409/175-170	175/170	65,1
04207133409/170-165	170/165	64,4
04207133409/165-160	165/160	63,7
04207133409/160-155	160/155	63,0
04207133409/155-150	155/150	62,3



1. Dimensions for reference
2. Delivery and packaging are carried out in accordance with the terms of the contract
3. The manufacturer reserves the right, without notice to the consumer, to make changes to the design of the products for improvement of their technological and operational parameters, which will not affect the quality and properties of the product
4. Deviation of the actual weight of the nominal can be up to 10%.

UNLESS OTHERWISE SPECIFIED: DIMENSIONS ARE IN MILLIMETERS SURFACE FINISH: TOLERANCES: ISO 2768 - C LINEAR: ANGULAR:		FINISH:	DEBURR AND BREAK SHARP EDGES	DO NOT SCALE DRAWING	REVISION
DRAWN: Kyselytsia			SIGNATURE:	TITLE: <b>Concrete Drain Channel Pro DN150 H155-310 with Cast Iron Grate D400</b>	
CHK'D: Kharambura			DATE: 22.07.22	ARTICLE:	
APPV'D: Malynovskiy			MATERIAL: Concrete, Cast Iron	A3	
MFG:			WEIGHT: kg	SCALE: 1:5	
QA:			SHEET 1 OF 1		